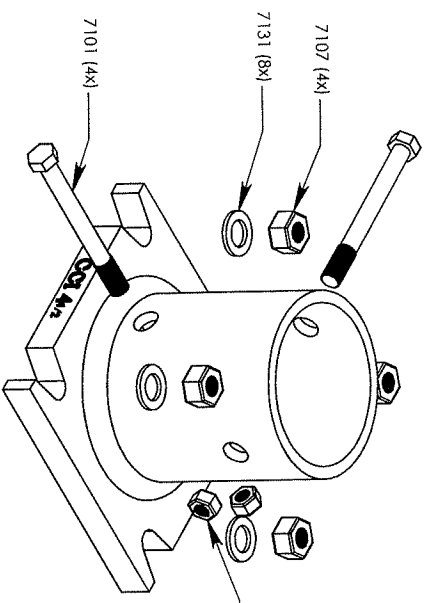


REVISIONS			
REV.	DESCRIPTION	DATE	APPROVED
A	INITIAL RELEASE	10/29/09	GMK

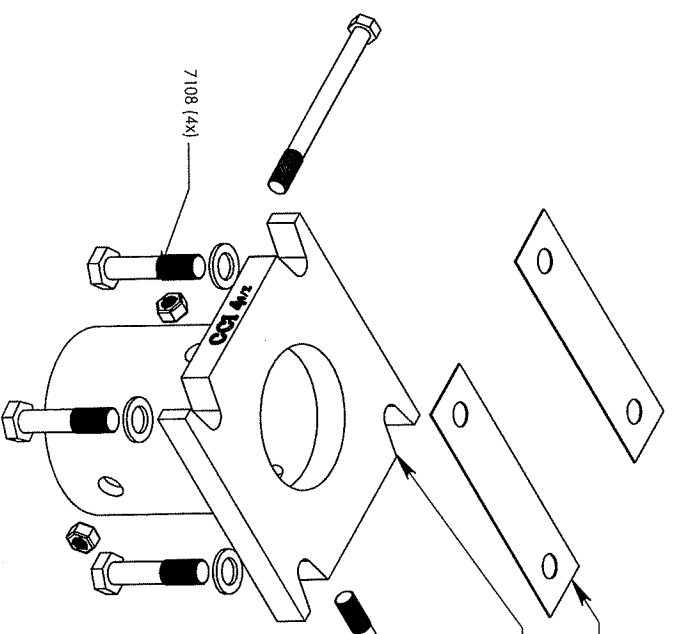
RRR

7159 (4x)
1997 Sleeve Bolt Kit

7107 (4x)
7131 (8x)
7101 (4x)
7167 (4x)
7997-BB-4
1997 Base Bolt Hardware Kit



7157
Slip Base Keeper (2x)
5076
1997 4-1/2" Round Slip Base (2x)



7108 (4x)

NAME	DATE
AMK	10/28/09
GMK	10/29/09
JRK	10/29/09
AMK	10/30/09

PROPRIETARY AND CONFIDENTIAL
 THE INFORMATION CONTAINED IN THIS DRAWING IS THE SOLE PROPERTY OF COST CAST, INC. ANY REPRODUCTION IN PART OR AS A WHOLE WITHOUT THE WRITTEN PERMISSION OF COST CAST, INC. IS PROHIBITED.

ITEM NO.	PART DESCRIPTION	QUANTITY
5076	1997 4-1/2" Round Slip Base, Alloy 356-T6	2
7157	Slip Base Keeper, 8" Al., .040" Gauge	2
7997-BB-4	1997 Base Bolt Hardware Set	4
7108	5/8"-11x3" Bolt, ASTM A-325, Hot Dip Galv	4
7107	5/8"-11 Nut, ASTM A-325, Hot Dip Galv	4
7131	5/8" Washer, Flat, Hot Dip Galv	8
7997-SB-4	1997 Sleeve Bolt Hardware Set	4
7101	1/2"-13 x 6", Bolt, Galv Steel ASTM A-307	4
7167	1/2"-13, Locknut, Galv Steel ASTM A-307	4
7159	Slip Base Shim, Galv Steel	4

UNLESS OTHERWISE SPECIFIED:
 DIMENSIONS ARE IN INCHES
 TOLERANCES:
 ANGULAR: MACH ± .1/32"
 TWO PLACE DECIMAL ± .03"
 THREE PLACE DECIMAL ± .010"
 INTERPRET GEOMETRIC TOLERANCING PER:

MATERIAL: VARIOUS
 FINISH: VARIOUS
 DO NOT SCALE DRAWING

TITLE:
1997-45-H
 4-1/2" Round Slip Base Set

COST CAST, INC

SIZE DWG. NO. 13717
 SCALE: 1:1.6 WEIGHT: SHEET 1 OF 1