

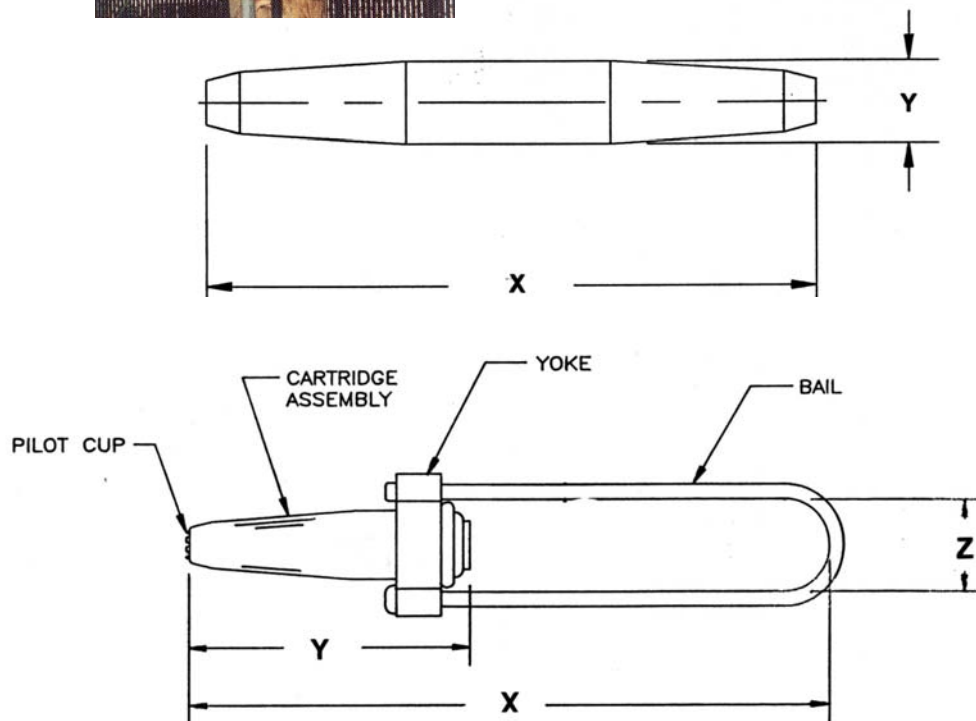
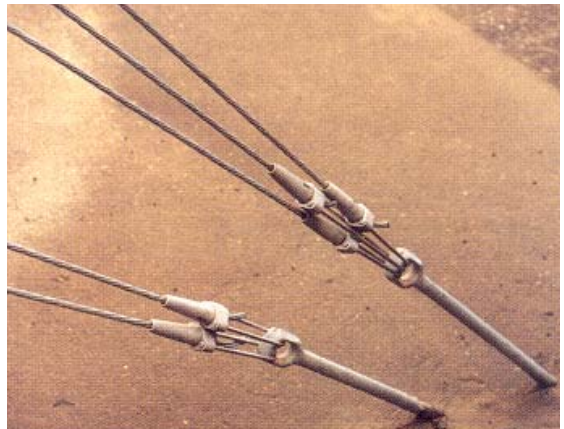
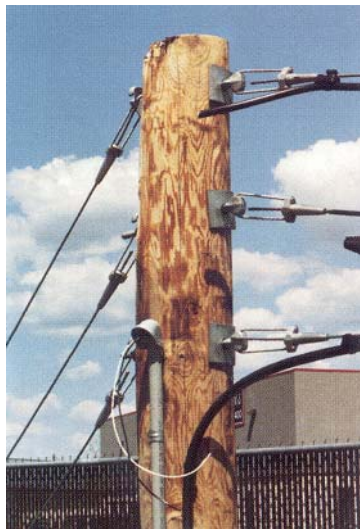
## Application

“Universal Grade” are recommended for use with Alumoweld, Aluminized, EHS, and Galvanized Steel.

“All Grades” are recommended for use on Common Grade, Siemens-Martin, High Strength Utility Grade, Galvanized, and Aluminized steel strand.

## Features

Rated to hold a minimum of 90% of RBS of the strand used



## Universal Grade Strandwise and Strandlink

Primary Strand Application = 3/16"  
Wire Range = .140-.215

Catalog Number	Bail Type	Dimensions (inches)			Standard Pack
		X	Y	Z	
5039	Link	7.5	1.03	-	50
5199	A	10.12	4.66	1.63	50
5255	E	12.75	4.66	2.75	25
5261	E	22.31	4.66	2.75	25

Primary Strand Application = 3/8"  
Wire Range = .325-.392

Catalog Number	Bail Type	Dimensions (inches)			Standard Pack
		X	Y	Z	
5042	Link	10.62	1.45	-	25
5202	A	12.88	6.47	1.63	25
5252	B	15.12	6.47	2.25	25
5202L	C	18.00	6.47	2.00	25
5264	E	25.00	6.47	2.75	20
5270	E	31.00	6.47	2.75	20

Primary Strand Application = 1/4"  
Wire Range = .215-.270

Catalog Number	Bail Type	Dimensions (inches)			Standard Pack
		X	Y	Z	
5040	Link	7.62	1.13	-	50
5200	A	10.38	4.88	1.63	50
5250	B	13.87	4.88	2.25	50
5200L	C	13.87	4.88	1.63	50
5262	E	22.62	4.88	2.75	25
5268	E	28.63	4.88	2.75	25

Primary Strand Application = 7/16"  
Wire Range = .392-.455

Catalog Number	Bail Type	Dimensions (inches)			Standard Pack
		X	Y	Z	
5043	Link	10.59	1.59	-	25
5203	A	14.75	6.72	2.06	25
5253-6	D	17.25	6.72	2.75	25
5203L	C	21.00	6.72	2.00	25

Primary Strand Application = 5/16"  
Wire Range = .270-.315

Catalog Number	Bail Type	Dimensions (inches)			Standard Pack
		X	Y	Z	
5041	Link	9.28	1.26	-	50
5201	A	10.69	5.38	1.63	50
5251	B	14.00	5.38	2.25	50
5201L	C	15.75	5.38	1.63	50
5257	E	14.06	5.38	2.75	20
5263	E	23.44	5.38	2.75	25
5269	E	29.69	5.38	2.75	20

Primary Strand Application = 1/2"  
Wire Range = .455-.520

Catalog Number	Bail Type	Dimensions (inches)			Standard Pack
		X	Y	Z	
5044	Link	10.75	1.70	-	25
5204	A	16.31	7.09	2.06	20
5254	B	17.50	7.09	2.25	20
5254-6	D	17.38	7.09	2.75	20
5204L	C	20.50	7.09	2.00	20

## All Grades Strandwise and Strandlink

Primary Strand Application = 3/16"  
Wire Range = .185-.193

Catalog Number	Bail Type	Dimensions (inches)			Standard Pack
		X	Y	Z	
4999	Link	5.10	0.70	-	50
5099	A	8.06	2.97	1.63	50

Primary Strand Application = 5/16"  
Wire Range = .310-.335

Catalog Number	Bail Type	Dimensions (inches)			Standard Pack
		X	Y	Z	
5001	Link	7.25	1.04	-	50
5101	A	9.88	4.37	1.63	50
5151	B	13.10	4.37	2.25	50
5151-6	D	13.26	4.37	2.75	50

Primary Strand Application = 1/4"  
Wire Range = .240-.253

Catalog Number	Bail Type	Dimensions (inches)			Standard Pack
		X	Y	Z	
5000	Link	6.40	0.90	-	100
5100	A	9.56	3.94	1.63	50
5150	B	12.82	3.94	2.25	50
5100-L	C	13.10	3.94	1.63	25

Primary Strand Application = 3/8"  
Wire Range = .360-.405

Catalog Number	Bail Type	Dimensions (inches)			Standard Pack
		X	Y	Z	
5002	Link	8.00	1.25	-	50
5102	A	11.88	5.00	1.63	50
5152	B	13.82	5.00	2.25	50
5152-6	D	13.50	5.00	2.75	25